

cartridge filter



The filter mod. **FC** are cartridges filter type normally used in decompression installations for civil and industrial uses in canalized networks for natural and manufactured gas, Gpl or other non corrosive, preliminarily treated stable gases..



FC

The cartridges filter, mod. **FC**. are able to eliminate all the solid particles which pollute the gases such as sand, dust and rust, where it's necessary to protect meters, regulators and valves removing in efficient way the particles from the stream.

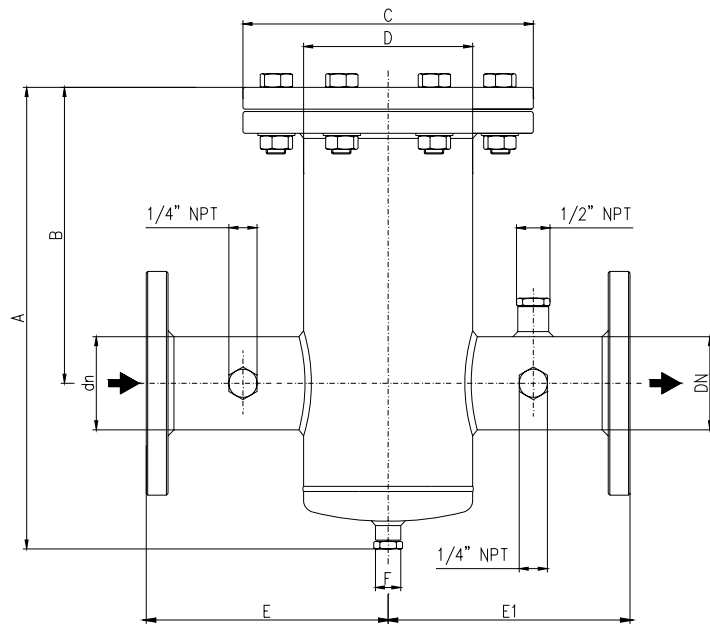
The filtering elements are designed and produced in a wide materials variety in order to guarantee reliability and tightness. The mod. **FC** filter produced in several standard configuration so as to satisfy a wide installations requirements predisposed of threaded unions for the discharge cap assembly and various accessories.

Use with different fluids we recommend users to be consulted with our technical department.

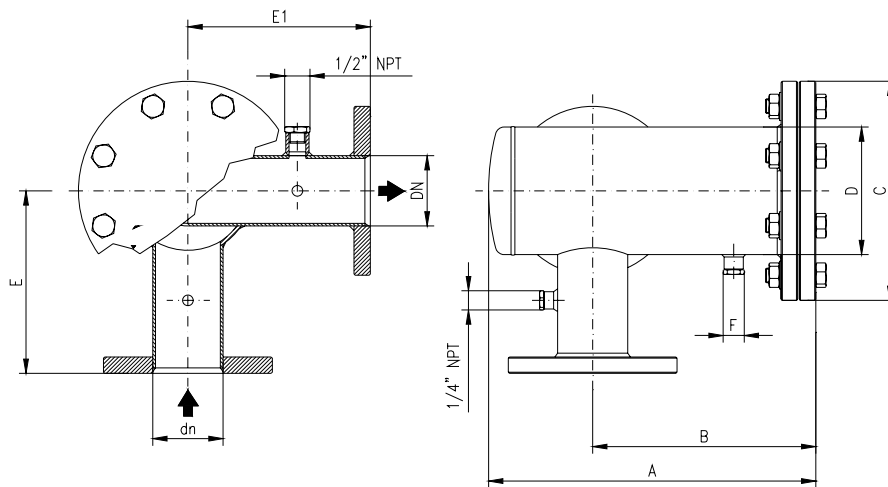
technical features

- **shell** - ASTM A 106 gr. B
- P275NH (EN 10028:93)
- P335NH (EN 10028:93)
- **flanges** ASTM A 105
- **gaskets** Benzover 1A
- **filtering material** polyester
- maintenance easiness
- differential pressure gauge on request
- discharge valve on request
- straight connections (FC.L)
- angle connections (FC.S)
- flow direction on left-right or on right-left

		FC	FC.M
Diameters		from DN 25 to DN 150	
Connections		PN 16 (UNI 2240-67) ANSI 150 RF (B 16.5)	
Max. inlet pressure	[bar]	6	19
Design temperature	[°C]	-10 ÷ 60	
Working temperature	[°C]	-10 ÷ 60	
Filtering capacity	[%]	up to 98	
Filtering degree		up to 5 µm	



FC L



FC S

TIPE		A [mm]	B [mm]	C [mm]	D [mm]	E [mm]	E1 max [mm]	F	dn [min-max]	DN [min-max]
FC.L	0.5	298	190	210	114.3	150	300	1/2"	25÷50	25÷50
	1	370	245	240	139.7	200	350	1/2"	40÷65	40÷65
	1.5	450	300	265	168.3	225	400	1/2"	40÷80	40÷80
	2	539	365	320	219.1	250	450	1/2"	65÷100	65÷100
	2.5	597	402	375	273	300	500	1/2"	80÷125	80÷125
	3	680	454	440	323.9	325	600	1/2"	100÷150	100÷150
FC.S	0.5	298	190	210	114.3	150	300	1/2"	25÷50	25÷50
	1	370	245	240	139.7	200	350	1/2"	40÷65	40÷65
	1.5	450	300	265	168.3	225	400	1/2"	40÷80	40÷80
	2	539	365	320	219.1	250	450	1/2"	65÷100	65÷100
	2.5	597	402	375	273	300	500	1/2"	80÷125	80÷125
	3	680	454	440	323.9	325	600	1/2"	100÷150	100÷150