



- FULL BORE
- FACE TO FACE acc. to EN 558-1 (DIN 3202 - F 4)
- SPLIT BODY
- FLOATING BALL

- FLANGES acc. to EN 1092 - 2
- TOP FLANGE acc. to ISO -5211
- ACTUATOR ATTACHMENT



PRESSURE RANGE		
PN 6	PN 16	PN 40

TEMPERATURE RANGE	
MIN: - 20°C	MAX: + 200°C

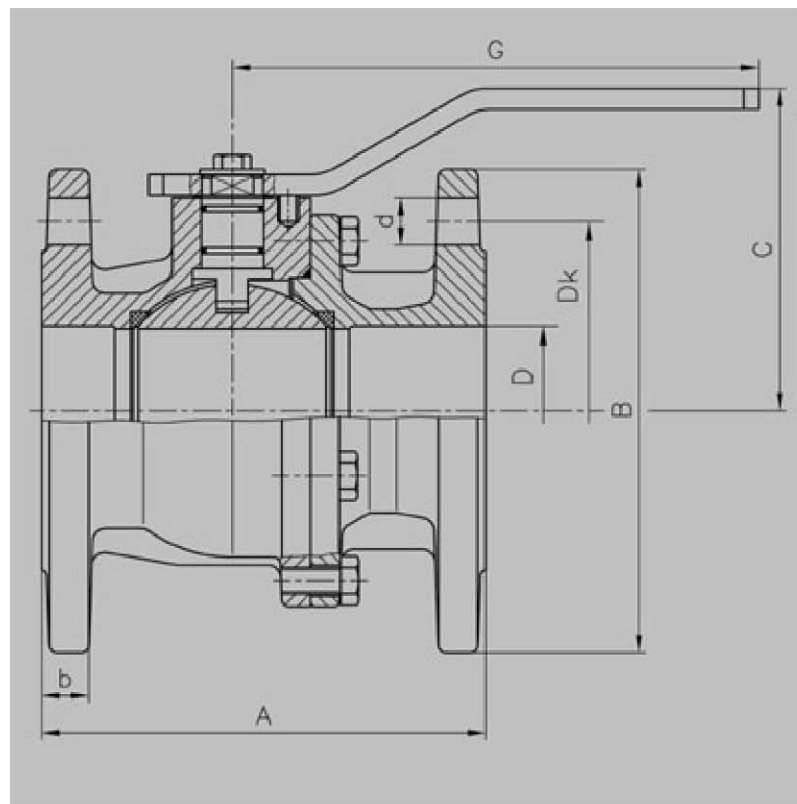
	
ISO 9001:2000	CE - 0036

ISO 9001:2000 CE - 0036

MEDIUMS:

-water and oil.

KPC



DN	A	B	C	D	G	b	Dk	d	Nr.
KPC - K25	125	115	80	25	150	18	85	14	4
KPC - K32	130	140	90	31	235	18	100	18	4
KPC - K40	140	150	95	39	270	18	110	18	4
KPC - K50	150	165	102	49	270	20	125	18	4
KPC - K65	170	185	125	63	340	20	145	18	4
KPC - K80	180	200	135	76	340	20	160	18	8
KPC - K100	190	220	153	100	340	20	180	18	8
KPC - K125	200/325*	250	183	125	540	22	210	18	8
KPC - K150	210/350*	285	200	150	540	22	240	22	8
KPC - K200	400*	340	325	200	1000	24	295	22	12