


Krogelni ventil K77 po BS 1552 • Kuglasti ventil K77 po BS 1552
Ball valve K77 according BS 1552 • Kugelhähne K77 nach BS 1552

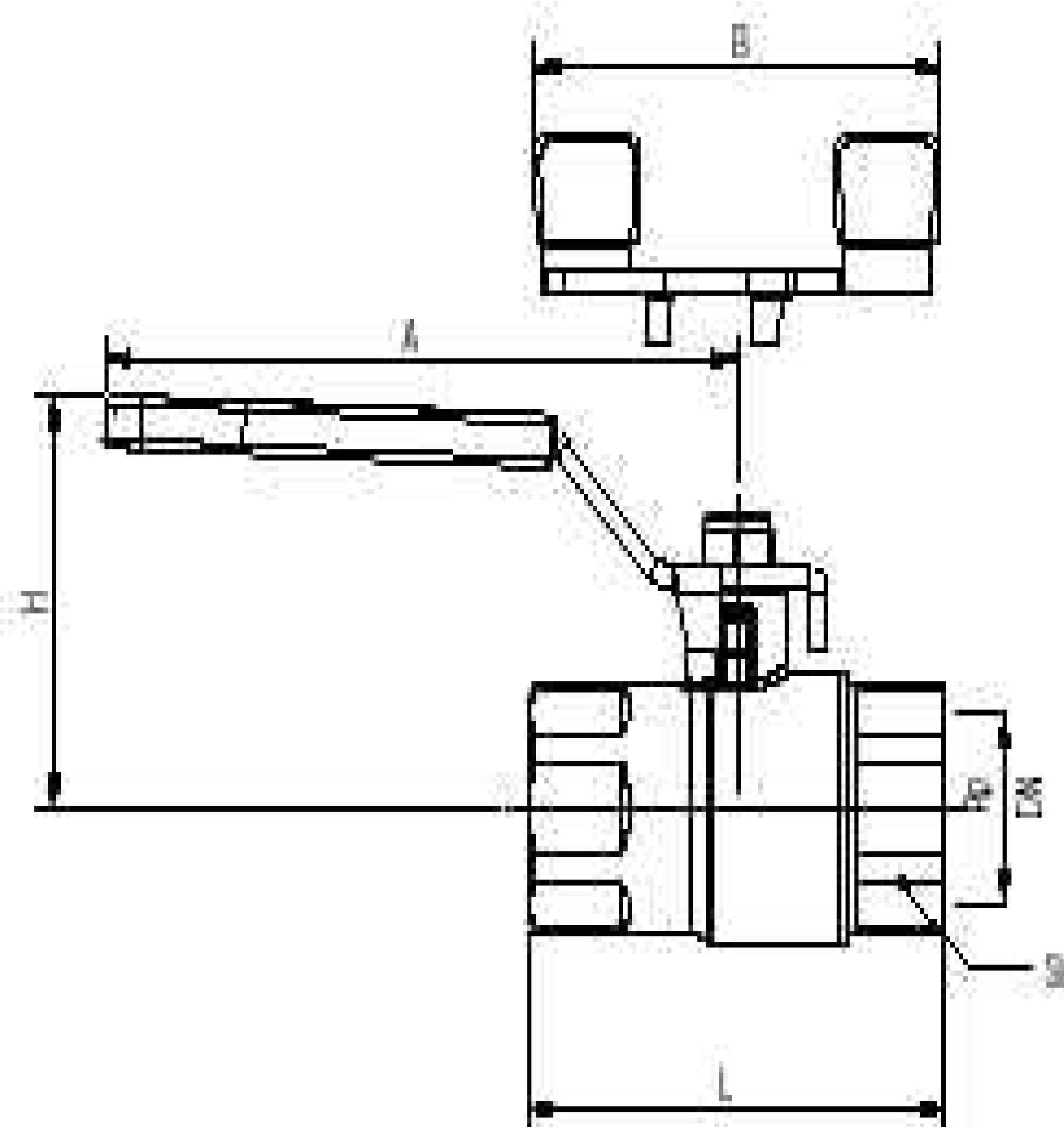
KV 3010 - KV 3070



art.	PN	DN	Rp	L	A	H	Sw		B	art.
KV 3010	4	10	3/8"	50	70	40	21	0.145	60	KV 3010M
KV 3020	4	15	1/2"	60	90	45	25	0.220	60	KV 3020M
KV 3030	4	20	3/4"	68	90	48	31	0.320	60	KV 3030M
KV 3040	4	25	1"	81	135	61	39	0.600	85	KV 3040M
KV 3050	4	32	1 1/4"	95	135	65	48	0.980	85	KV 3050M
KV 3060	4	40	1 1/2"	106	180	85	55	1.580		
KV 3070	4	50	2"	127	180	92	68	2.550		

T = -20°C...+60°C


KV 3010M - KV 3050M



Krogelni ventil K77 FxM • Kuglasti ventil K77 FxM
Ball valve K77 FxM • Kugelhähne K77 FxM

KV 3011 - KV 3071



art.	PN	DN	Rp - R	L	A	H	Sw		B	art.
KV 3011*	4	10	3/8"	55	70	40	21	0.150	60	KV 3011M*
KV 3021*	4	15	1/2"	67	90	45	25	0.230	60	KV 3021M*
KV 3031*	4	20	3/4"	74	90	48	31	0.330	60	KV 3031M*
KV 3041*	4	25	1"	88	135	61	39	0.625	85	KV 3041M*
KV 3051*	4	32	1 1/4"	103	135	65	48	1.000	85	KV 3051M*
KV 3061*	4	40	1 1/2"	110	180	85	55	1.600		
KV 3071*	4	50	2"	128	180	92	68	2.660		

T = -20°C...+60°C

KV 3011M - KV 3051M

